

# TEKNOFORM

Bağlantı Elemanları San. ve Tic. A.Ş.



[www.teknoform.com](http://www.teknoform.com)



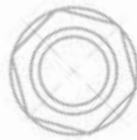
# Index

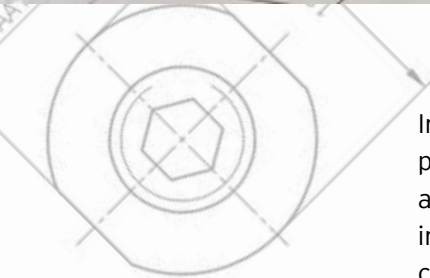
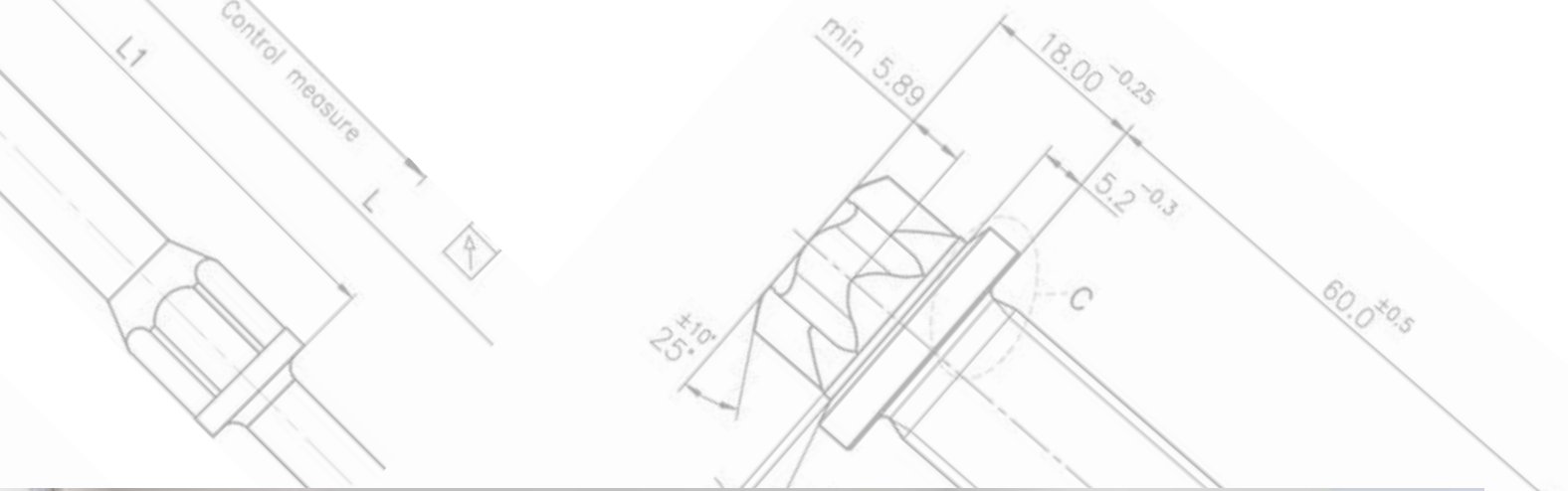
2	Company profile
6	Production
8	Heat Treatment
10	Quality
12	Process Control
14	Machining
16	Material
18	Tooling
20	Design
22	Products

# Company Profile

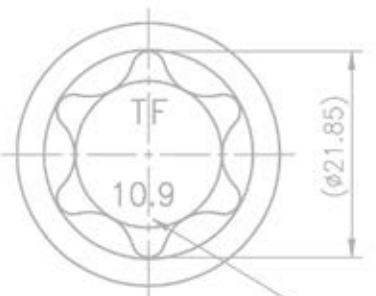


TEKNOFORM was established in 2011 in Istanbul gathering a team of experts who have the know-how, knowledge and experience of over 25 years in cold forging and production. Teknoform's production plant was installed on a surface of total 4500 m<sup>2</sup>, 3500 m<sup>2</sup> of which being enclosed and provides service with state of art production line and machinery.





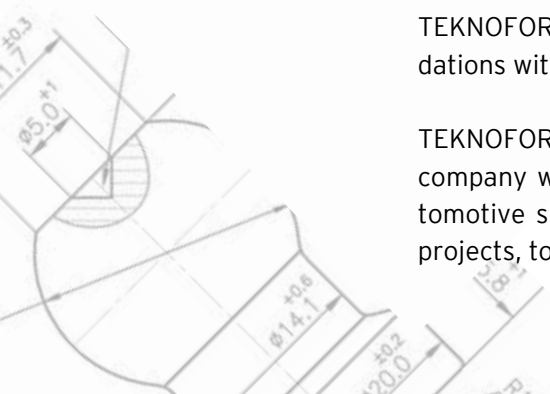
In the fasteners' area, TEKNOFORM is seeking to become indispensable in the eyes of its customers with high quality, fast reaction and fast delivery; to grow and develop constantly following the technological developments; to manufacture the most complicated parts with the newest machinery; to meet our shareholders needs providing all the resources that we require.



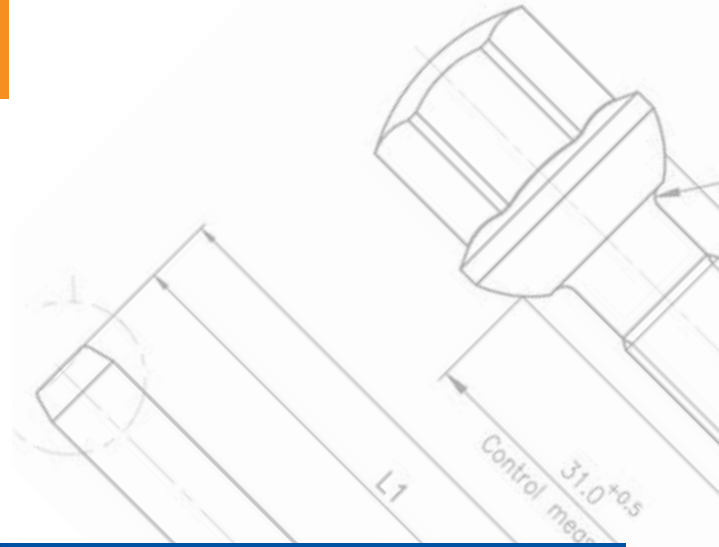
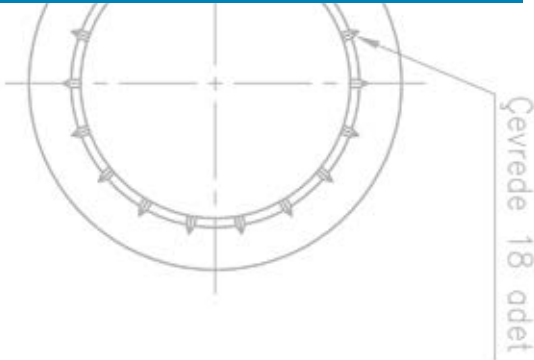
TEKNOFORM's motto is "Quality First" and based on solid foundations with ISO TS 16949 quality standards.

6KRD-E24

TEKNOFORM has the ability to become a Worldwide known company with works to synchronize with automotive and automotive supplier industry, to support R&D studies with new projects, to improve the existing products.



# Company Profile



**TUV NORD**

## CERTIFICATE

Management system as per  
**ISO/TS 16949:2009**  
(3rd edition, 2009-06-15)

Evidence of conformity with the above standard has been furnished and is certified for

**Teknoform Bağlantı Elemanları San. ve Tic. A.Ş.**  
Adnan Kahveci Mah., İnönü Cad., No: 87, Beylikdüzü  
34528 İstanbul  
Turkey

Scope

**Production of cold forged fasteners and special parts**  
without product design responsibility (according to section 7.3)

ISO Registration No. 0247245  
Certificate Registration No. 44 111 131619  
Audit Report No. 3518 3583

Issue date: 2016-09-08  
Expiry date: 2019-09-14  
Audit cycle: 12 months from 2016-07-22

Essen, 2016-09-08

This certification was conducted in accordance with the IATF Rules for auditing and certification and is subject to regular surveillance audits.

TÜV NORD CERT GmbH | Langemannstraße 20 | 45141 Essen | www.tuv-nord-cert.de

0247245-01021 | page 1/1 | A13F200a (rev. 02/04.16) | 00142612

**TUV NORD**

## CERTIFICATE

Management system as per  
**ISO 9001 : 2008**

In accordance with TÜV NORD CERT procedures, it is hereby certified that

**TEKNOFORM**  
Bağlantı Elemanları San. ve Tic. A.Ş.

**Teknoform Bağlantı Elemanları San. ve Tic. A.Ş.**  
Adnan Kahveci Mah., İnönü Cad., No 87, Beylikdüzü,  
TR-34528 İstanbul,  
Turkey

applies a management system in line with the above standard for the following scope

**Production of cold forged fasteners and special parts**

QM Element 7.3 excluded (Product design)

Certificate Registration No. 44 100 133040  
Audit Report No. TR 1487

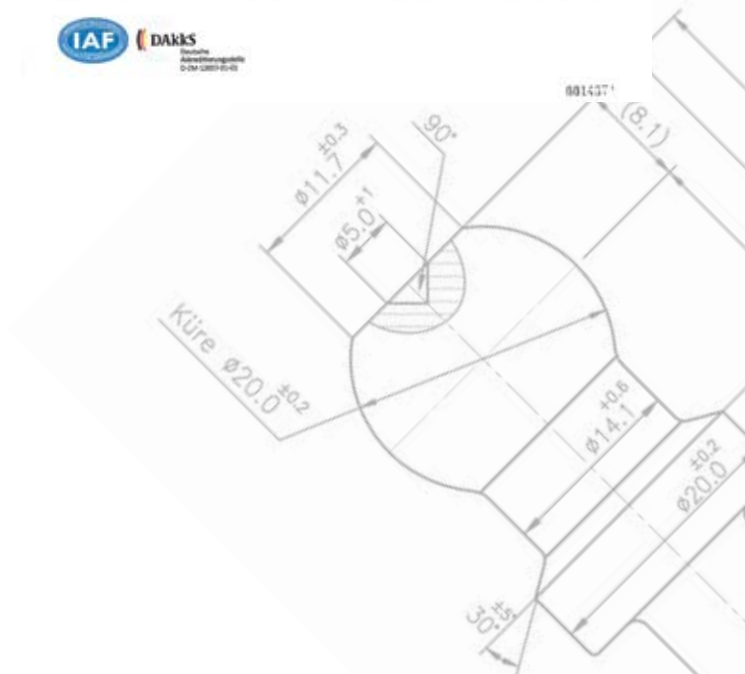
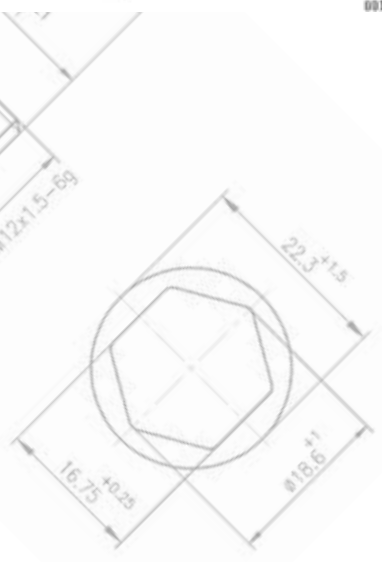
Valid from 2016-09-08  
Valid until 2019-09-14  
Audit 2016-09-08 in line with ISO 9001:2008  
Initial certification 2013

Essen, 2016-09-08

This certification was conducted in accordance with the TÜV NORD CERT auditing and certification procedures and is subject to regular surveillance audits.

TÜV NORD CERT GmbH | Langemannstraße 20 | 45141 Essen | www.tuv-nord-cert.com

IAF | DAKS  
Institute  
Accreditation  
Co-Ordination  
Centre





## CERTIFICATE

This certificate is granted to the organization,

### TEKNOFORM BAĞLANTI ELEMANLARI SANAYİ VE TİCARET ANONİM ŞİRKETİ

Adnan Kahveci Mahallesi İnönü Caddesi No:97 Beylikdüzü  
İstanbul / Türkiye

MANUFACTURE AND HEAT TREATMENT OF FASTENERS AND  
SPECIAL PARTS BY COLD FORGING METHOD

EA 17

according to the scope,

## ISO 14001:2004

to certify that Environmental Management System in accordance with  
standard's clauses is established and being implemented.

First Date of Issue	: 17.02.2015
Date of Issue	: 16.02.2016
Certificate Period	: 3 Years
Release Due Date	: 16.02.2017
Certificate No	: 02.15.4930.5899

First Quality Certification  
System Certificate Approved  
İstanbul / 16.02.16

FQC Uluslararası Kalite Yönetim Sistemleri Kuruluşu Anonim Şirketi  
General Quality Process & Control Ltd. No:97 İnönü Mahallesi Caddesi No:97 Beylikdüzü, İstanbul / Türkiye  
No.97, İnönü Mahallesi Caddesi No:97, Beylikdüzü / İstanbul - Türkiye / Turkey  
Şirket Üretimi ve Ticareti İçin ISO 14001 Standardına Uygunluk ve İşletimini Onaylayan Belgeyi Onaylayan Kuruluş FQC'dir.  
This document is valid only when used in accordance with the scope of the certificate. Certificate validity may be checked on FQC website.  
www.fqc.com.tr - info@fqc.com.tr



## CERTIFICATE

This certificate is granted to the organization,

### TEKNOFORM BAĞLANTI ELEMANLARI SANAYİ VE TİCARET ANONİM ŞİRKETİ

Adnan Kahveci Mahallesi İnönü Caddesi No:97 Beylikdüzü  
İstanbul / Türkiye

MANUFACTURE AND HEAT TREATMENT OF FASTENERS AND  
SPECIAL PARTS BY COLD FORGING METHOD

according to the scope,

## OHSAS 18001:2007

to certify that Occupational Health and Safety System in accordance  
with standard's clauses is established and being implemented.

First Date of Issue	: 17.02.2015
Date of Issue	: 16.02.2016
Certificate Period	: 3 Years
Release Due Date	: 16.02.2017
Certificate No	: 03.15.4930.4008

First Quality Certification  
System Certificate Approved  
İstanbul / 16.02.16

FQC Uluslararası Kalite Yönetim Sistemleri Kuruluşu Anonim Şirketi  
General Quality Process & Control Ltd. No:97 İnönü Mahallesi Caddesi No:97 Beylikdüzü, İstanbul / Türkiye  
No.97, İnönü Mahallesi Caddesi No:97, Beylikdüzü / İstanbul - Türkiye / Turkey  
Şirket Üretimi ve Ticareti İçin OHSAS 18001 Standardına Uygunluk ve İşletimini Onaylayan Belgeyi Onaylayan Kuruluş FQC'dir.  
This document is valid only when used in accordance with the scope of the certificate. Certificate validity may be checked on FQC website.  
www.fqc.com.tr - info@fqc.com.tr

## Üye Sertifikası

Certificate of Membership

### Teknoform Bağlantı Elemanları San. ve Tic. A.Ş.

TAYSAD Üyesidir  
Member of TAYSAD

Yönetim Kurulu Başkanı  
Chairman

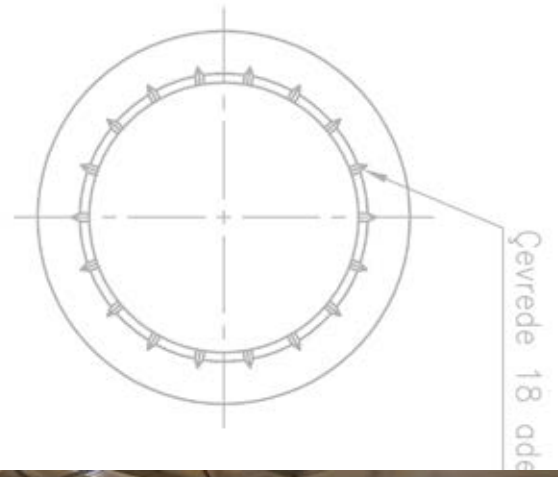
Dr. Mehmet Dindaroglu



TAYSAD  
TAYIRLIK VE DENETİM KURULU  
MEMBERSHIP & CERTIFICATION BOARD

18178

# Production

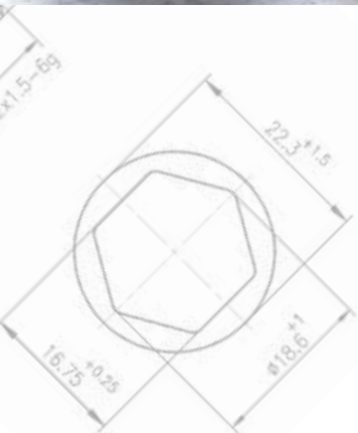
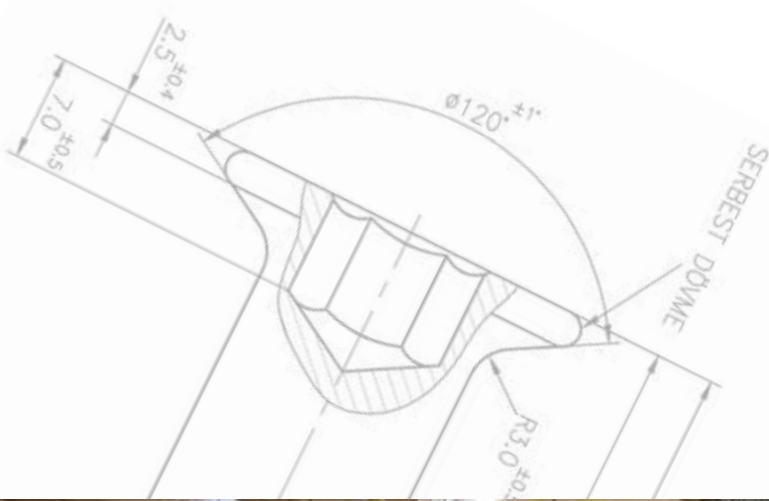


“

TEKNOFORM has 50 people who have averagely 25 years of experience, Our company is equipped with all in house process such as cold forging and secondary operations, heat treatment, tooling and design and a quality laboratory which is constructed according to the requirements of the automotive industry and a hardware which can totally take under control the manufactured parts' dimensional and hardness values.

”





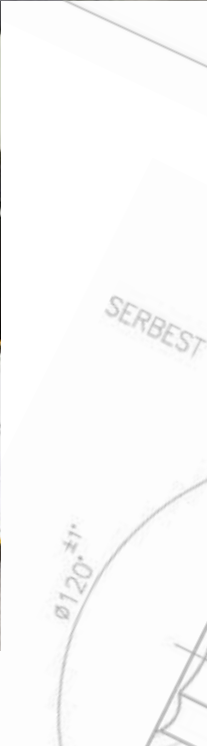
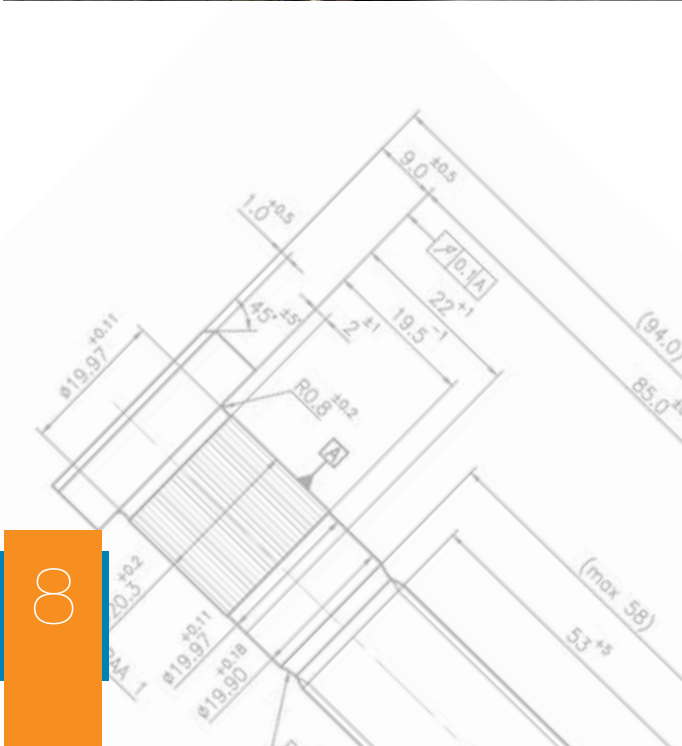
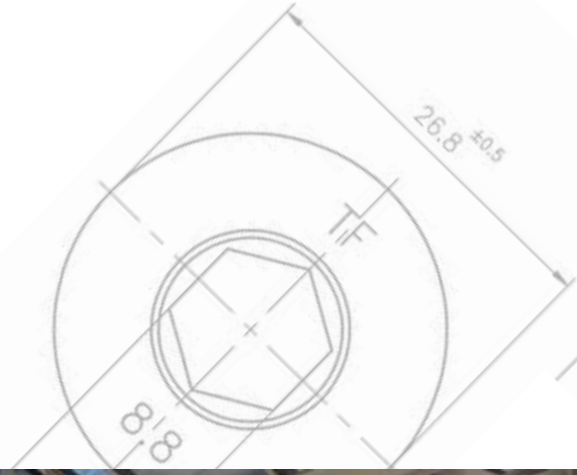
## Our company's qualifications are as follows:

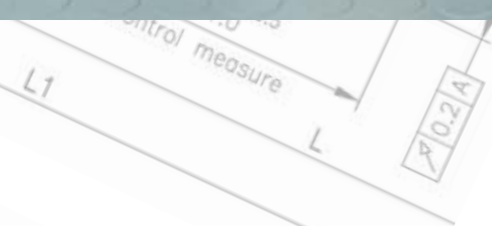
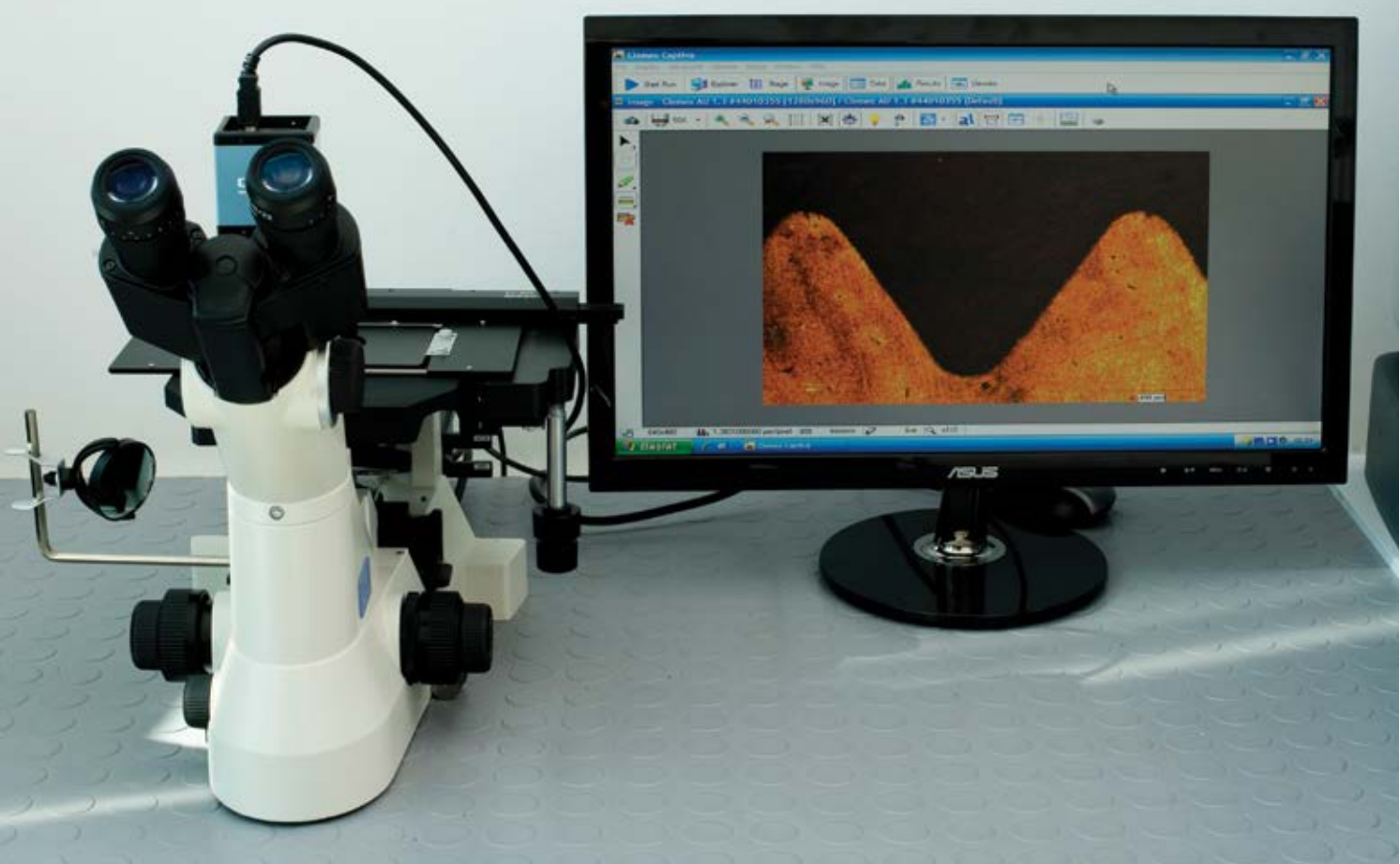
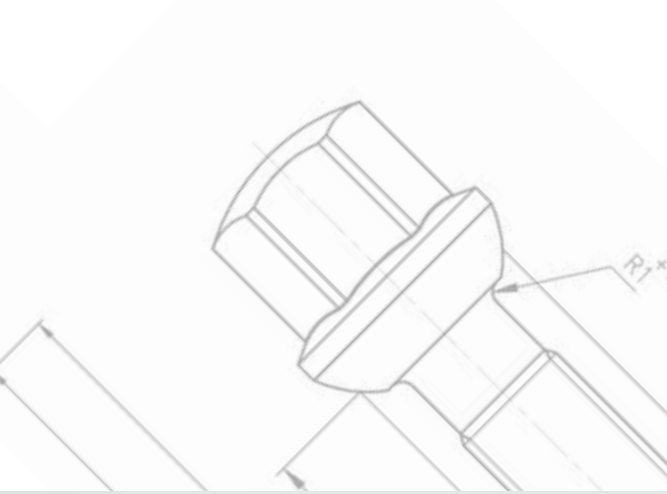
Parts ranging from  $\varnothing 5$  mm to  $\varnothing 22$  mm and dimensions from min 5 mm to max 200 mm which can be produced a cold forging method with a quality from 8.8, 10.9 to 12.9 in our company whose production capacity is 3000 tons which means 50 millions of special fasteners per year.

We can effectuate production activities for the requirements in the automotive industry and the automotive supply industry as well as for those of machine manufacturing, construction, white goods etc. Our product range is formed Special Cold Formed Parts, Bearings, Rod and Z-Rod Purlins, Z-Rod Purlin Cases, High Quality Fasteners (Hexagon, Flange and Inbus Bolts, Wheel Bolts and Nuts, Single and Double Sequin Bolts, Studs etc).

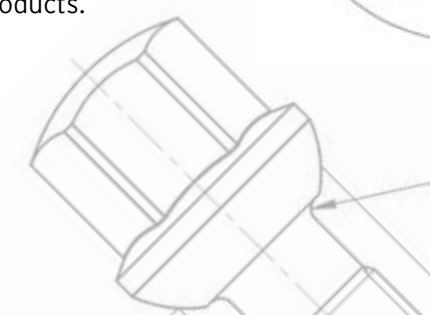
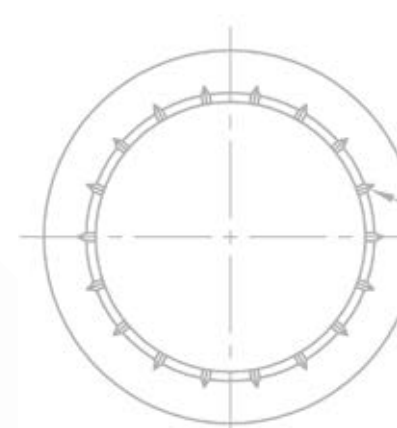
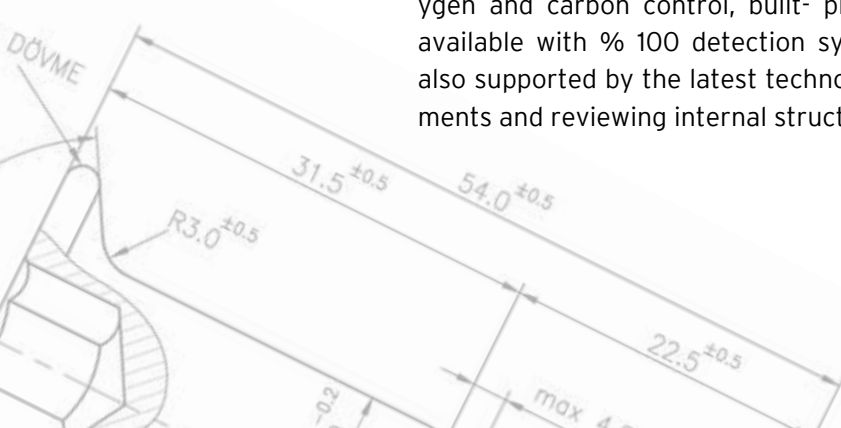


# Heat Treatment

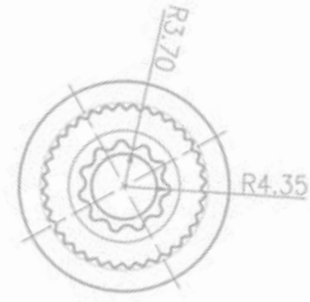




Our heat treatment furnace has 500 kg per hour production capacity, computer controlled, automatic loading, automatic oxygen and carbon control, built- phosphate retrieval system, available with % 100 detection systems agglomeration. It is also supported by the latest technology of hardness measurements and reviewing internal structure of products.



# Quality



“

TEKNOFORM quality policy focuses on post-sale customer satisfaction, target-oriented and method-based planning organizational structure in accordance with the essential principles of ISO/TS 16949 Quality Management System in every phase of the production.

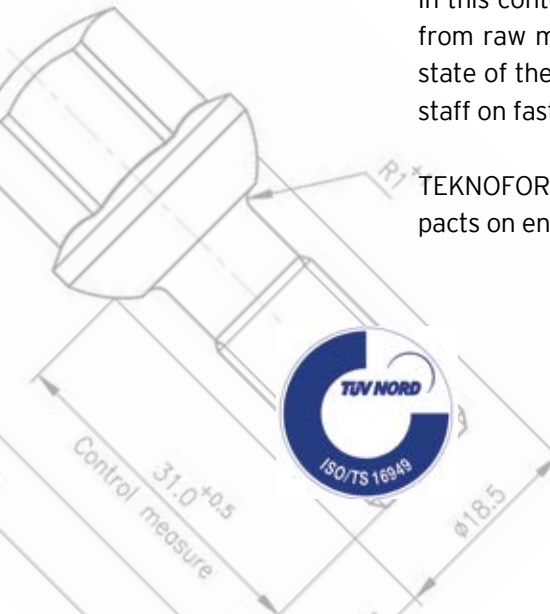
”





In this context, TEKNOFORM has the control in all the processes from raw material input to the delivery of the product, with the state of the art control devices, calibrated equipment and expert staff on fasteners.

TEKNOFORM is also willingly aiming to prevent or reduce the impacts on environment while producing special fasteners.

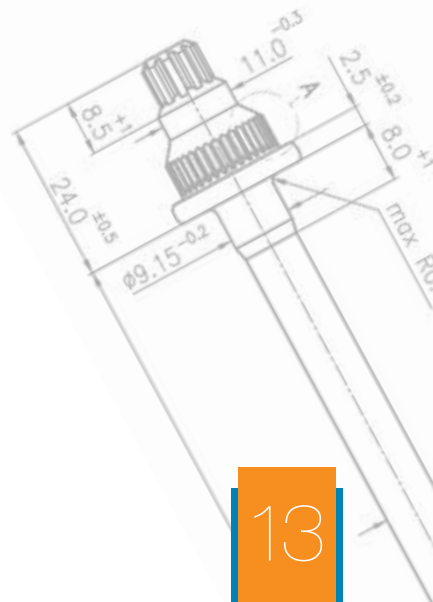
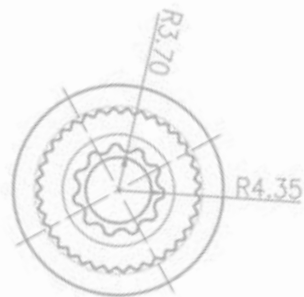


# Process Control

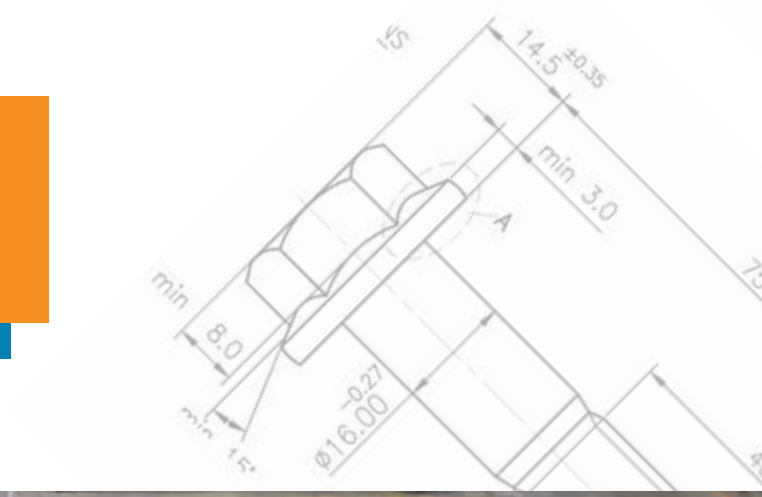




TEKNOFORM's process control system has the ability to recognize problems and reduce faults. Therefore, Teknoform provides cost effectiveness and much efficient production by early intervention. TEKNOFORM can provide the constant monitoring of the production processes with the most advanced Process Control System BRANKAMP X7. Controlling during the production process are insured the computer supported statistical process control (SPC) method and TEKNOFORM can deliver according to the customer demands with 0 PPM by 100 % sorting instruments. Mentioned instruments has ability of controlling dimensional and hardness properties, existing of punch and cracks on the products as well.



# Machining



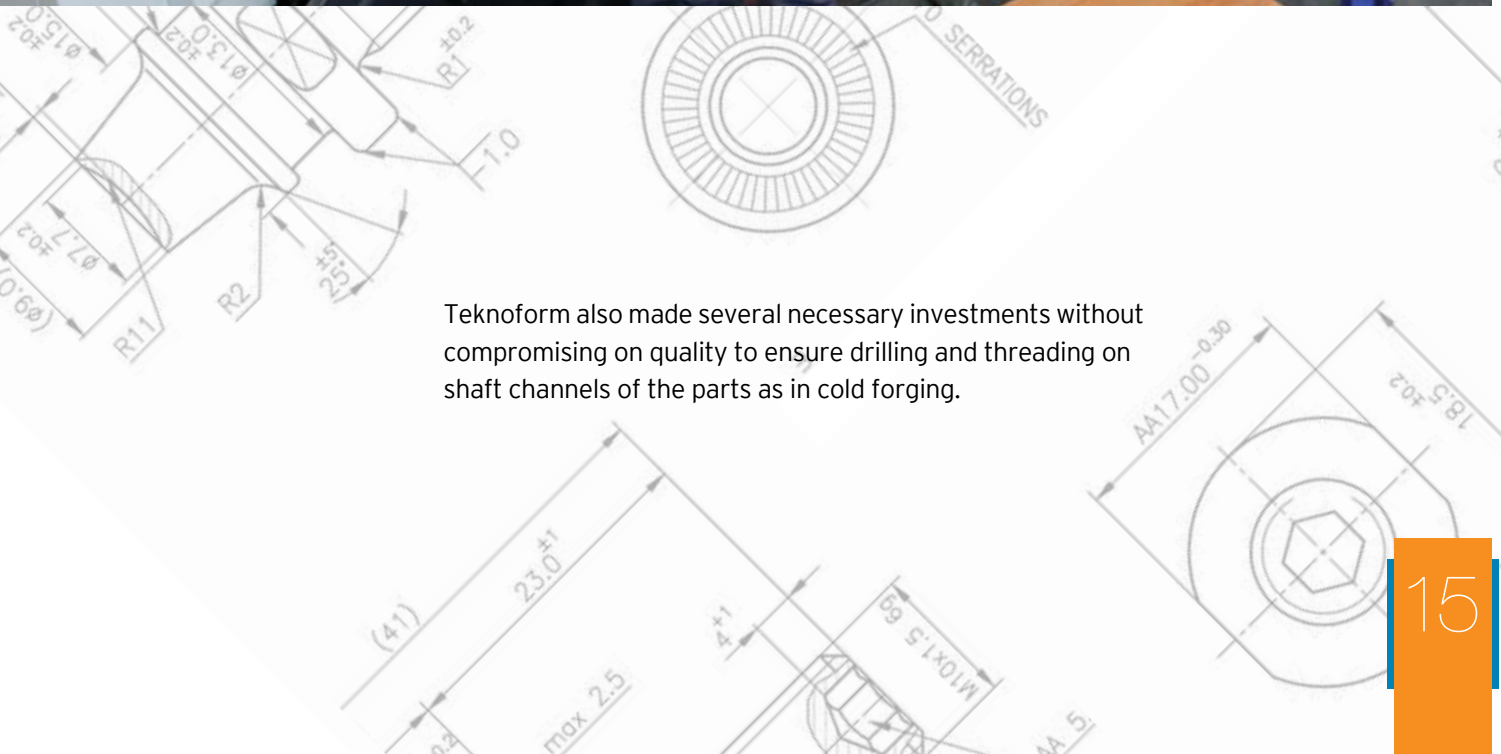
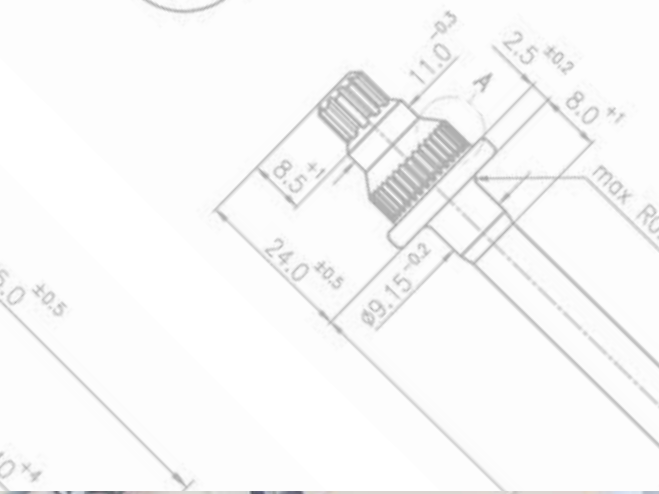
“

TEKNOFORM is aiming to produce special fasteners only with cold forging but some parts needed secondary operation after cold forging. In this way, Teknoform is able to make turning parts in perfect and fast with special apparatus and controlling systems.

”







Teknoform also made several necessary investments without compromising on quality to ensure drilling and threading on shaft channels of the parts as in cold forging.

# Material



TEKNOFORM			MATERIAL CONTROL REPORT			F0Y NO / Sheet Nr
F0Y NO / Sheet Nr :			Tarih / Date :			
Malzeme / Material :			Çap / Diameter :			
Seri No / Charge Nr :			Miktar / Qty :			
SONUÇ / Result		<input type="checkbox"/> ACCEPTED <input type="checkbox"/> CONDITIONAL APPROVAL <input type="checkbox"/> REJECTED		İLK NUMARALI / First Sample <input type="checkbox"/>		İKİNCİ NUMARALI / Second Sample <input type="checkbox"/>
ACIKLAMA / Remarks		AD BOYU / Length İZLENİM / Impression		KONTROL EDEN / Checked By OKY / OK		İLK NUMARALI DEĞERLENDİRME / First Sample Evaluation <input type="checkbox"/>
İÇ YAPİ KONTROLÜ / Micro Structure Control						
İÇ YAPİ / Micro structure		HATA / Failing explanation		KARBON YANMA / Decarburization		
YÜZEY HATALARI / Surface Defects			BOYUTSAL KONTROL / Dimensional Control			
BAŞAMA TESTİ / Pressing Test			ÇAP TOLERANSI / Diameter Tolerance			
YÜZEY PÜRÜZLÜLÜĞÜ / Surface Roughness:			BULUNAN / Finding			
SÖRÖMÜ / Visual			KİMYASAL KOMPOZİSYON / Chemical Structure			
MUKAVEMET KONTROLÜ / Mechanical Test Control			1 2 3			
Çekme Mukavemeti / Tensile Strength						
Sertlik / Hardness HB						
İzlenme / Elongation %						
ÖZETİM SİRASINDA MALZEMEDEN SORUN YAŞANMAMIŞ HALİNDE DOLDURULACAKTIR.						
Tarih / Date	Firma / Firm	Ürün No / Item No	İşletim / Plant	Parç. No / Part No	SORUN / PROBLEM	Kontrol Eden / Checked By

“

TEKNOFORM is supplied raw material from companies having ISO 9001 certificate with chemical analysis reports.

”



The raw material approved during incoming quality control stage with our report and also checked with our spectrometer in laboratory.

Raw material stock area composed with grade and type of material.

# Tooling



“

The other powerful side of TEKNOFORM is superior and the fastest tool design in market. With this ability, TEKNOFORM is becoming to the first and best cold forging company of new projects on the eyes of T1 and T2.

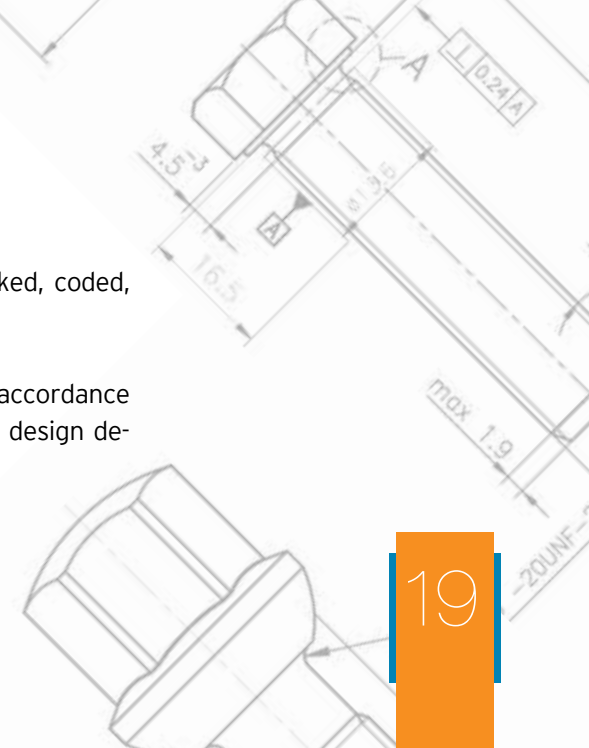
”



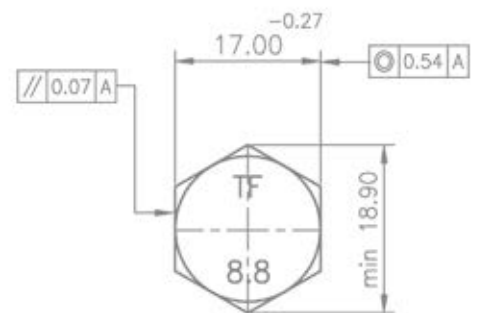
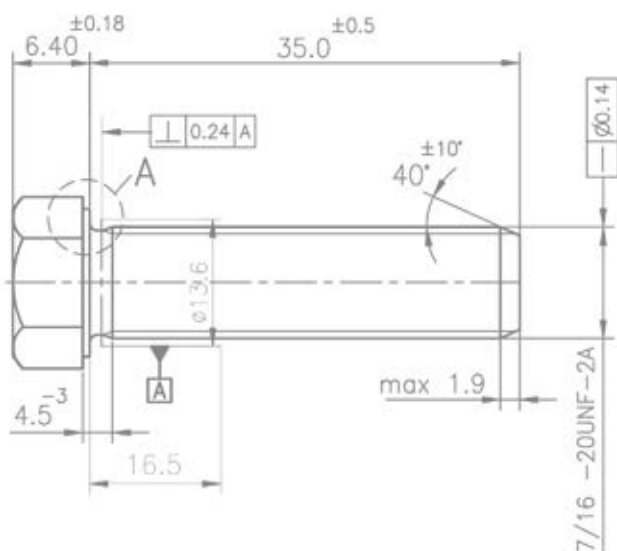


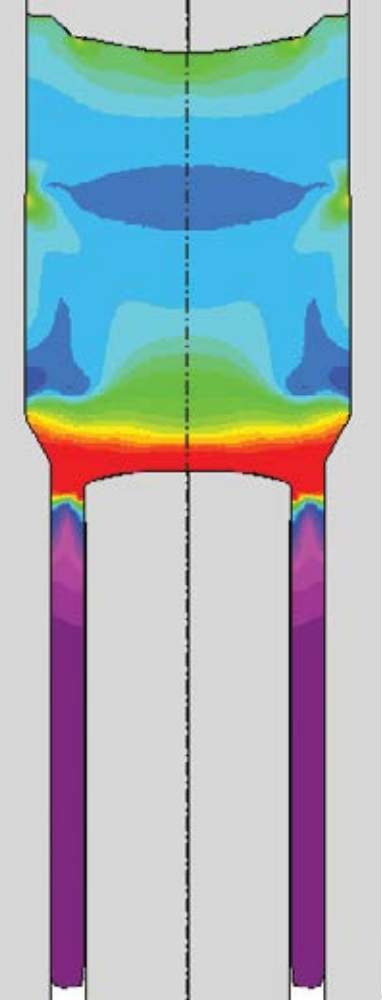
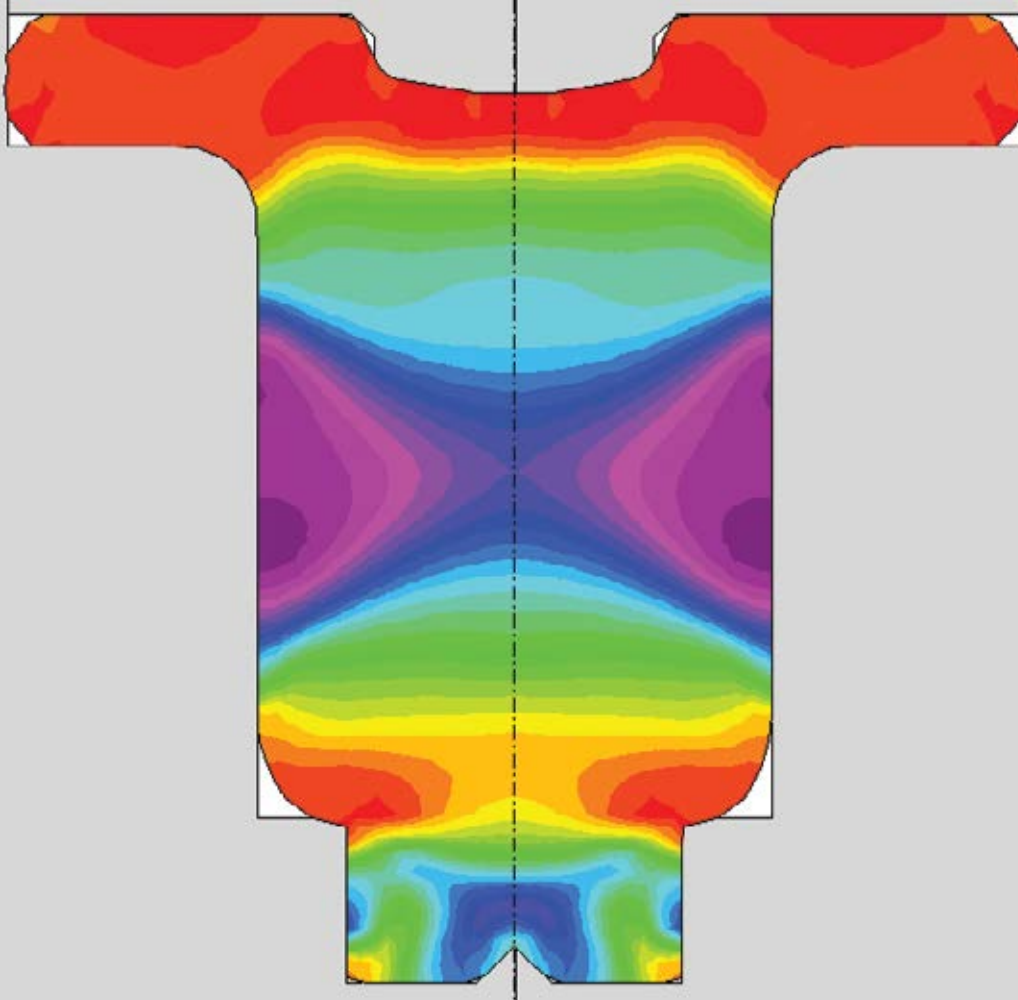
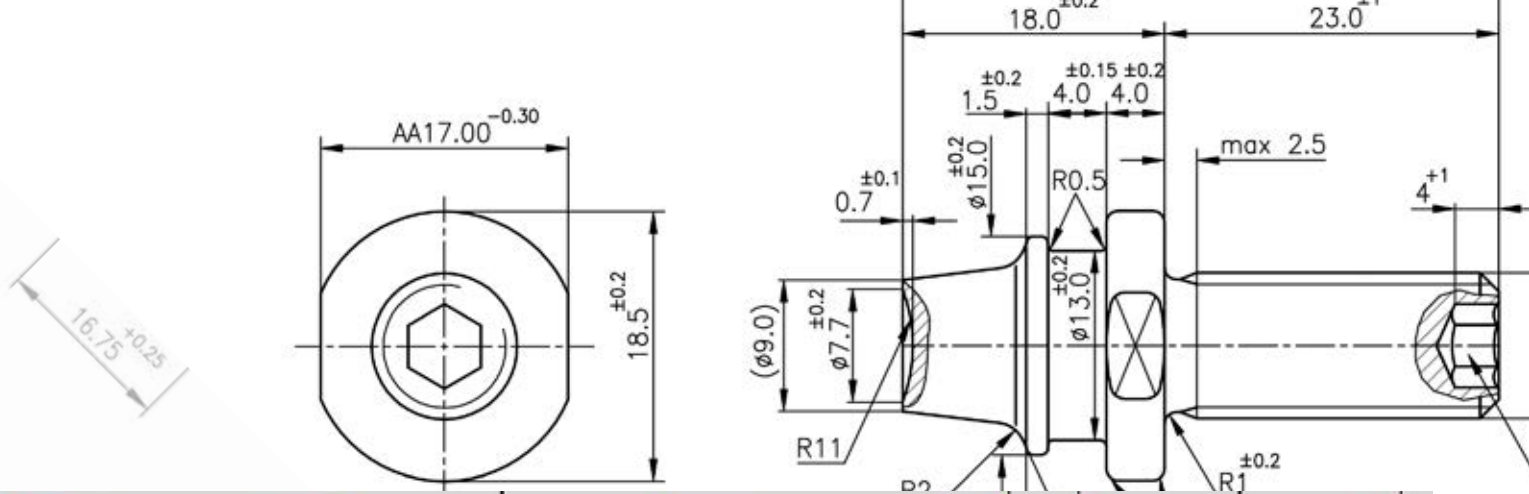
All tooling which are used in production stocked, coded, followed and ordered by MRP system.

TEKNOFORM can support the R&D studies in accordance with the client's needs and requirements with design department.



# Design





Teknoform uses simulations in cold forging of special fasteners in order to eliminate errors before the tools are made and production begins. Ability to see maximization of die life and accurate calculation of loads required for cold forming. It also optimizes the tool plans and production drawing with fast and efficient way. Encountering of overloaded condition to tools is blocked and can be extend tool life.



# Products



















Turkey

Discover  
the potential

TIFF TANITIM Tel: 0216 336 88 68



**TEKNOFORM**  
Bağlantı Elemanları San. ve Tic. A.Ş.

Adnan Kahveci Mahallesi İnönü Caddesi No: 87  
Posta Kodu : 34528 Beylikdüzü - İstanbul - TÜRKİYE  
Tel : +90 212 482 6 482 Fax : +90 212 483 0 713

[www.teknoform.com](http://www.teknoform.com)